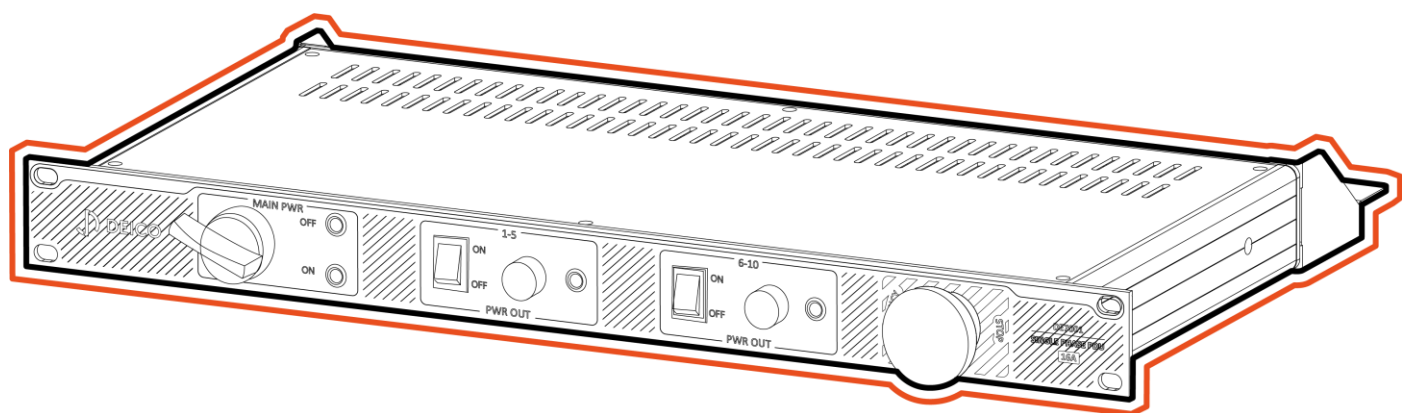


DE7001 DATASHEET

SINGLE PHASE PDU, 16A



Contents

DESCRIPTION.....	1
Key Features.....	1
HARDWARE OVERVIEW	2
Circuitry.....	2
Hardware Specifications	2
Electrical.....	2
Physical.....	3
SAFETY GUIDELINES	3
NOTES.....	4

DESCRIPTION

The Single Phase Power Distribution Unit is in a 1U form factor and offers 10 switchable outputs. Switches are accompanied by led lights that indicate their status. The PDU is fed by a single-phase input, equipped with overcurrent protection, and has the ability to disconnect the input from the grid using an emergency stop button.

Key Features

- ⇒ Suitable for limited space
- ⇒ 1U rack-mount case
- ⇒ Features overcurrent protection (OCP)
- ⇒ Aluminum housing
- ⇒ Contains PDU on/off switch
- ⇒ Switchable outputs
- ⇒ Led lights connected to the switches
- ⇒ Emergency stop



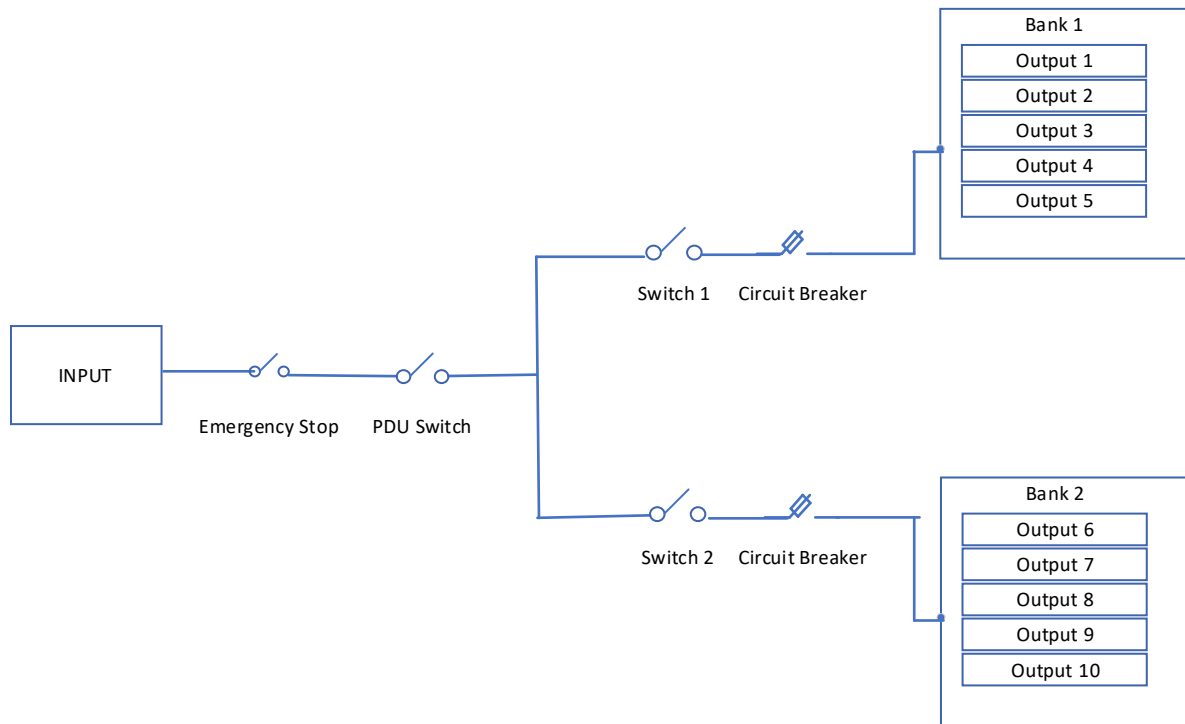
Single Phase PDU Front View



Single Phase PDU Back View

HARDWARE OVERVIEW

Circuitry



Single Phase PDU Block Diagram

Hardware Specifications

Electrical

Specification	Value
Rated Voltage	230V
Max. Input Current	16A
Input Frequency	50/60Hz
Input Type	IEC 60320-C20
Input Power	3680VA
Number of Inputs	1
Output Type	IEC 60320-C13
Max. Output Current per Outlet	10A
Output Current per Bank	10A*
Max. Output Current per Bank	16A
Max. Total Output Current	16A
Number of Switchable Banks	2
Number of Outputs per Bank	5*
Total Number of Outputs	10
Overcurrent Protection	Available

Physical

Specification	Value
Dimensions	482.6 x 43.5 x 206mm
Weight	2100g
Length of Input Card	2m*
Color	RAL9005*

**Marked features are subject to change upon demand.*

SAFETY GUIDELINES



Caution Do not operate the DE7001 in a manner not specified in this document. Product misuse can result in a hazard. You can compromise the safety protection built into the product if the product is damaged in any way. If the product is damaged, return it for repair.



Contact

DEICO Head Office

Teknopark Ankara, Serhat Mah.,
2224 Cad., No:1 F Blok, Z-12,
Yenimahalle, Ankara, Türkiye

support@deico.com.tr

+90 312 395 68 44



www.deico.com.tr

